



PARTS DEPARTMENT BULLETIN

DATE: 26-Jan-15

BULLETIN NUMBER: 2015-1 Page 1 of 2

SUBJECT: Multi Port SBCG: Throttle Body Change. Electronic Control Unit (ECU) also changed and it is specific to throttle body in use.

MODELS

AFFECTED: 3.5 SBCG

DETAIL: Beginning January 2015 (Manufacturing date code "OA"), the throttle body on the 3.5 SBCG has changed to an enhanced version. New version throttle body utilizes a flexible spiral stepper motor to throttle shaft coupling as opposed to a ridged coupling. This change has resulted in better stepper motor / throttle plate control and increased reliability. The letter "C" machined onto the throttle body designates the throttle body you have incorporates the new style coupling.

The Electronic Control Unit flash (program) is also revised to coincide with the throttle body change. Do not interchange new style ECUs with the old version throttle body or vice versa.

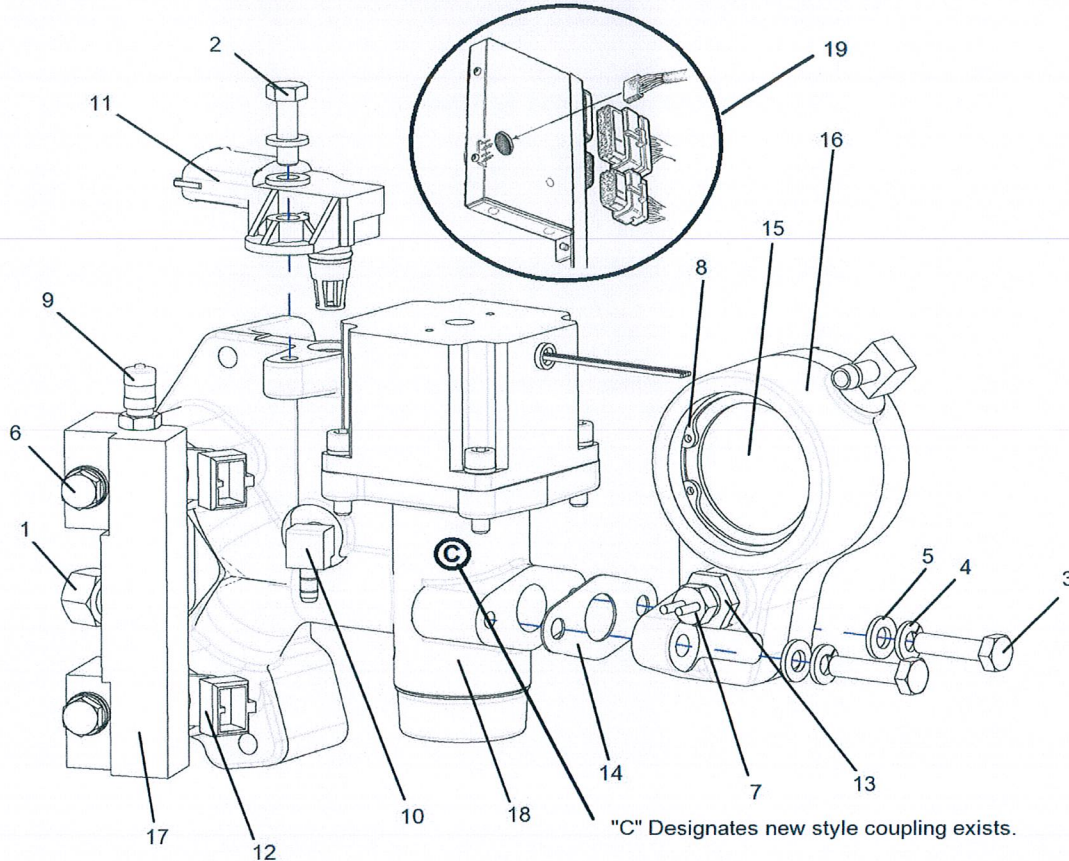
When ordering a replacement throttle body for units manufactured on or after date code OA, use throttle body PN 55688. For units built earlier use throttle body PN 54863.

When ordering a replacement ECU for units manufactured on or after date code OA, use PN 55870. For units built earlier use ECU PN 55288.

The purpose of this bulletin is to bring awareness to the change when ordering replacement parts. Although considered an improvement to the previous design making this change to older products is not essential. Westerbeke's limited warranty policy does not support upgrading older products to this new configuration.



THROTTLE-BODY INTAKE ASSY 3.5 SBCG



REF:	PART NUMBER / DESCRIPTION	QTY PER
1	015289 CONNECTOR,MALE 1/8NPTx5/16 IFL	1.000 EA
2	018804 CAPSCREW M 6x20 DIN 933	1.000 EA
3	020628 CAPSCREW M 6x25 DIN 933	2.000 EA
4	031783 LOCKWASHER M 6 DIN 127	5.000 EA
5	031784 WASHER M 6 DIN 125	5.000 EA
6	034213 CAPSCREW M 6x40 DIN 931	2.000 EA
7	042198 SENSOR,TEMPERATURE	1.000 EA
8	046846 RING,RETAINING 1.938 INTRNL SS	1.000 EA
9	042738 VALVE,FUEL SYSTEM TEST 1/8NPT	1.000 EA
10	048484 ELBOW 1/8NPT x 1/4 HOSE	2.000 EA
11	048989 SENSOR,MAP W/TEMPERATURE	1.000 EA
12	052855 INJECTOR,FUEL 3.5 SBCG	2.000 EA
13	053824 BUSHING 1/2-20 x 1/8 NPT NYLON	1.000 EA
14	054838 GASKET ARRESTOR HOUSING TO T-BODY	1.000 EA
15	054568 ARRESTOR,FLAME ASSY	1.000 EA
16	054618 FLAME ARRESTOR HOUSING	1.000 EA
17	054750 RAIL,FUEL 3.5 SBCG	1.000 EA
18-1	054863 THROTTLE BODY 3.5 SBCG (Pre OA Date code)	1.000 EA
18-2	055688 THROTTLE BODY 3.5 SBCG (OA date code or later.)	1.000 EA
19-1	055288 CONTROL, EFI (Use with 54863 pre OA or earlier.)	1.000 EA
19-2	055870 CONTROL, EFI (Use with 55688 OA or later.)	1.000 EA